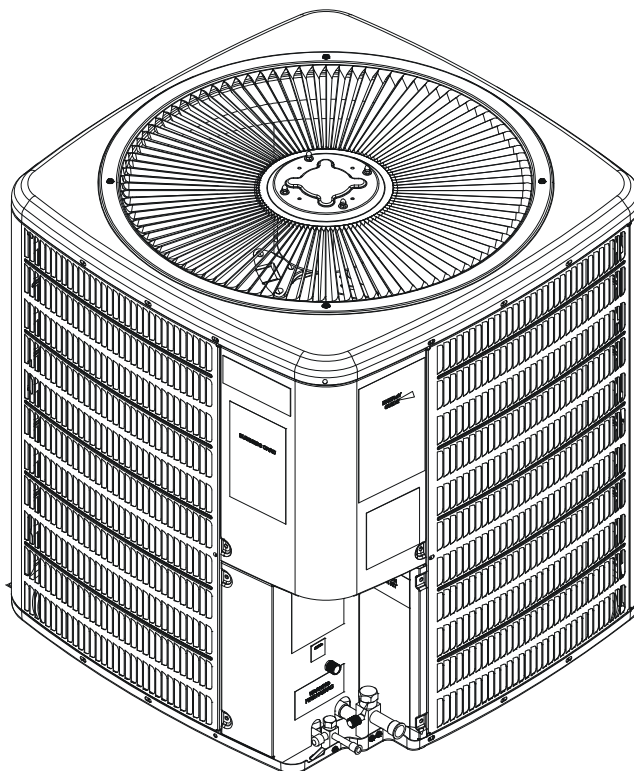


REPAIR PARTS

GSZ 13 SEER R410A Remote Heat Pumps

GSZ130181AB
GSZ130241AB
GSZ130241AC
GSZ130241BA
GSZ130301AB
GSZ130301AC
GSZ130361AB
GSZ130361BA
GSZ130363AA
GSZ130421AB
GSZ130481AB
GSZ130483AA
GSZ130484AA
GSZ130601AB
GSZ130603AA
GSZ130604AA



This manual is to be used by qualified technicians only.

This manual replaces RP-462

© 2007, 2010 Goodman Manufacturing Company, L.P. ♦ 5151 San Felipe, Suite 500 ♦ Houston, TX 77056

Important Information

Index

Functional Parts List	3
Illustration and Parts	4 - 11

Views shown are for parts illustrations only, not servicing procedures.

Revision A: Added models GSZ130241AC, GSZ130241BA, GSZ130301AC, GSZ130361BA, GSZ130363AA, GSZ130483AA, GSZ130484AA, GSZ130603AA, and GSZ130604AA.

Text Codes:

AR - As Required

NA - Not Available

NS - Not Shown

00000000 - See Note

QTY - Quantity Example (QTY 3) (If Quantity not shown, Quantity = 1)

M - Model Example (M1) (If M Code not shown, then part is used on all Models)

Expanded Model Nomenclature:

Example M1 - Model#1 M2 - Model#2 M3 - Model#3

Goodman Manufacturing Company, L.P. is not responsible for personal injury or property damage resulting from improper service. Review all service information before beginning repairs.

Warranty service must be performed by an authorized technician, using authorized factory parts. If service is required after the warranty expires, Goodman Manufacturing Company, L.P. also recommends contacting an authorized technician and using authorized factory parts.

Goodman Manufacturing Company, L.P. reserves the right to discontinue, or change at any time, specifications or designs without notice or without incurring obligations.

For assistance within the U.S.A. contact:
Consumer Affairs Department
Goodman Manufacturing Company, L.P.
7401 Security Way
Houston, Texas 77040
877-254-4729-Telephone
713-863-2382-Facsimile

For assistance outside the U.S.A. contact:
International Division
Goodman Manufacturing Company, L.P.
7401 Security Way
Houston, Texas 77040
713-861-2500-Telephone
713-863-2382-Facsimile

Functional Parts

Part

No: Description:

0151R00002P	3/4" SERVICE VALVE OPEN LEFT (M1, M2, M3, M4, M5, M6, M7, M8, M9)	0162M00057	FLOWRATOR .039 (M1)
B12825171	3/8" SERVICE VALVE	0162M00127	FLOWRATOR .043 (M4)
0151R00003P	7/8" SERVICE VALVE OPEN LEFT (M10, M11, M12, M13, M14, M15, M16)	0162M00058	FLOWRATOR .043 (M2, M3)
CAP050300440RSS	CAPACITOR 5/30/370V (M1)	0162M00141	FLOWRATOR .043 (M8)
CAP050000370VAS	CAPACITOR 5/370V (M9, M12, M13, M15, M16)	0162M00059	FLOWRATOR .049 (M5, M6)
CAP050400440RTS	CAPACITOR 5/40/440V (M2, M3, M4, M5, M6)	0162M00068	FLOWRATOR .055 (M7, M9)
CAP050450440RTS	CAPACITOR 5/45/440V (M7, M8, M10, M11)	0162M00070	FLOWRATOR .059 (M11, M12, M13)
CAP050700440RTS	CAPACITOR 5/70/440V (M14)	0162M00069	FLOWRATOR .059 (M10)
ZP16K5EPFV830	COMPRESSOR 15500, 208/230/60/1 (M1)	0162M00060	FLOWRATOR .065 (M14, M15, M16)
ZP21K5EPFV830	COMPRESSOR 21300, 208/230/60/1 (M2, M3, M4)	0163R00004	HEATER CRANKCASE, 460V, 40W (M13, M16)
ZP25K5EPFV830	COMPRESSOR 25200, 208/230/60/1 (M5, M6)	0163R00003	HEATER, CRANKCASE 230V 40W (M12, M15)
ZP31K5EPFV830	COMPRESSOR 31100, 208/230/60/1 (M7, M8)	0163R00002	HEATER, CRANKCASE 230V, 40W (M9)
ZP31K5ETF5830	COMPRESSOR 31200, 200/230/60/3 (M9)	B1227314S	REVERSING VALVE (M4)
ZP36K5EPFV830	COMPRESSOR 36200, 208/230/60/1 (M10)	0151M00019S	REVERSING VALVE (M7, M8, M9)
ZP39K5ETF5830	COMPRESSOR 39000, 200/230/60/3 (M12)	0151M00018S	REVERSING VALVE (M1, M2, M3, M5, M6)
ZP39K5EPFV830	COMPRESSOR 39000, 208/230/60/1 (M11)	0151M00020S	REVERSING VALVE (M10, M11, M12, M13, M14, M15, M16)
ZP39K5ETFD830	COMPRESSOR 39000, 460/60/3 (M13)		
ZP51K5EPFV830	COMPRESSOR 51000, 208/230/60/1 (M14)		
ZP51K5ETF5830	COMPRESSOR 51000, 208/230/60/3 (M15)		
ZP51K5ETFD830	COMPRESSOR 51000, 460/60/3 (M16)		
0131M00022S	COND MOTOR 1/4 HP, 8 PL, 460V (M13, M16)		
0131M00061S	COND MOTOR 1/4HP, 1SP, 8PL (M7, M8, M9, M10, M11, M12, M14, M15)		
0131M00060S	COND MOTOR 1/6 HP, 1 SP, 8 PL (M1, M2, M3, M4, M5, M6)		
CONT2P025024VS	CONTACTOR 25 AMP, 2P, 24V (M1, M2, M3, M4, M5, M6, M7, M8, M10)		
CONT3P025024VS	CONTACTOR 25 AMP, 3P, 24V (M9, M12, M13, M15, M16)		
CONT2P030024VS	CONTACTOR 30 AMP, 2P, 24V (M11, M14)		
20322603	CUT-OUT SWITCH, HIGH PRESSURE		
0130R00000S	CUT-OUT SWITCH, LOW PRESSURE		
PCBDM130	DEFROST CONTROL BOARD		
0130M00085	DEFROST THERMOSTAT (M4, M8)		
B1370803	DEFROST THERMOSTAT (M1, M2, M3, M5, M6, M7, M9, M10, M11, M12, M13, M14, M15, M16)		
0150M00018S	FAN BLADE 20" (M1, M2, M3)		
0150M00012S	FAN BLADE 20" CCW (M4, M5, M6)		
0150M00008S	FAN BLADE 22" TNT2203-25 (M7, M8, M9, M10)		
10625738S	FAN BLADE 26" ALUM CCW (M15, M16)		
0150M00013	FAN BLADE 26" CCW (M14)		
B1086765S	FAN BLADE TYPE 3 (M11, M12, M13)		

SPECIAL PARTS

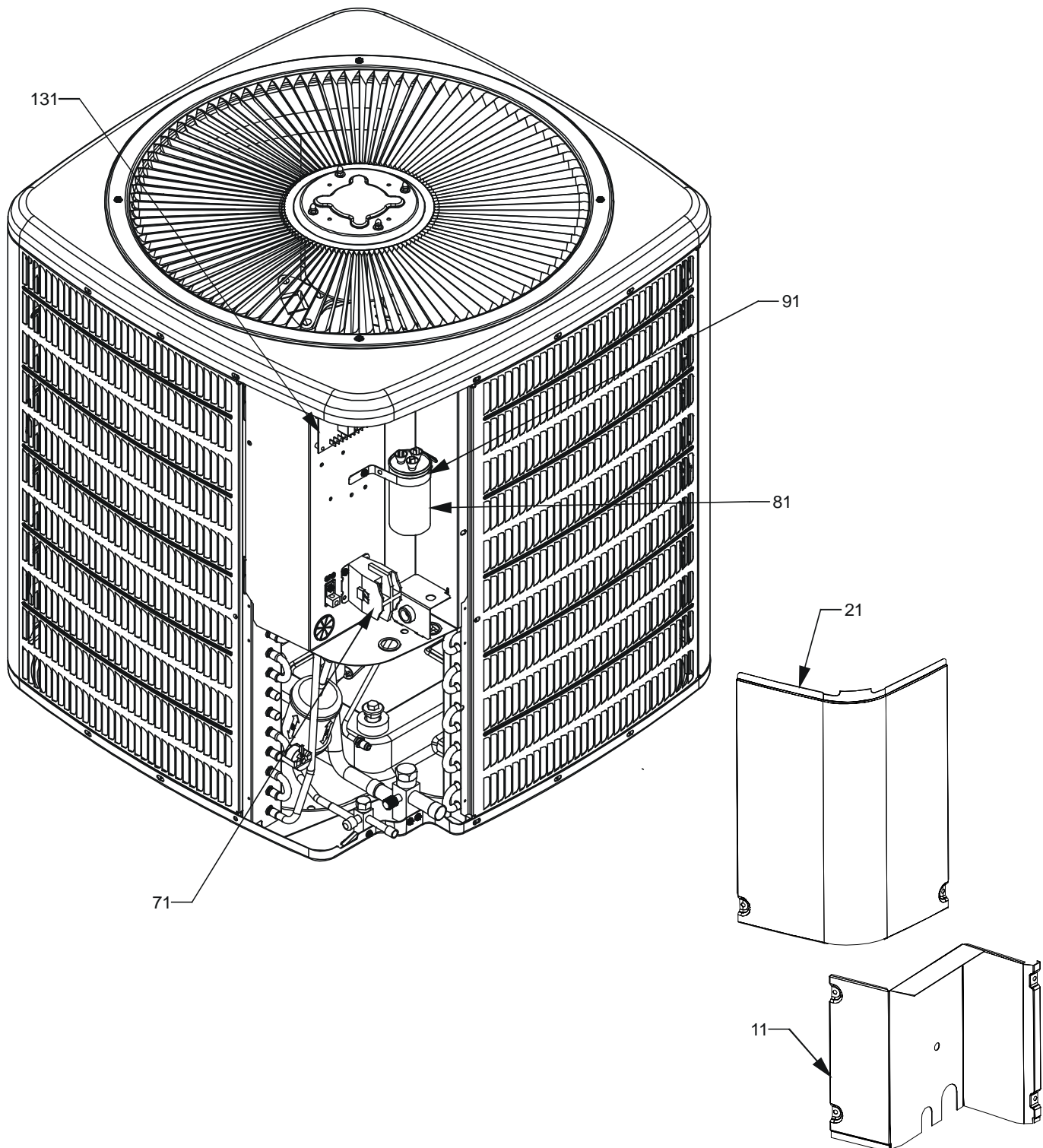
IO-259H HEAT PUMP INSTALLATION MANUAL

0161R00009P NAMEPLATE

Expanded Model Nomenclature

M1 - GSZ130181AB
M2 - GSZ130241AB
M3 - GSZ130241AC
M4 - GSZ130241BA
M5 - GSZ130301AB
M6 - GSZ130301AC
M7 - GSZ130361AB
M8 - GSZ130361BA
M9 - GSZ130363AA
M10 - GSZ130421AB
M11 - GSZ130481AB
M12 - GSZ130483AA
M13 - GSZ130484AA
M14 - GSZ130601AB
M15 - GSZ130603AA
M16 - GSZ130604AA

Control Cover / Control Box



Control Cover / Control Box

Ref. Part No:	Part No:	Description:	Ref. Part No:	Part No:	Description:
---------------	----------	--------------	---------------	----------	--------------

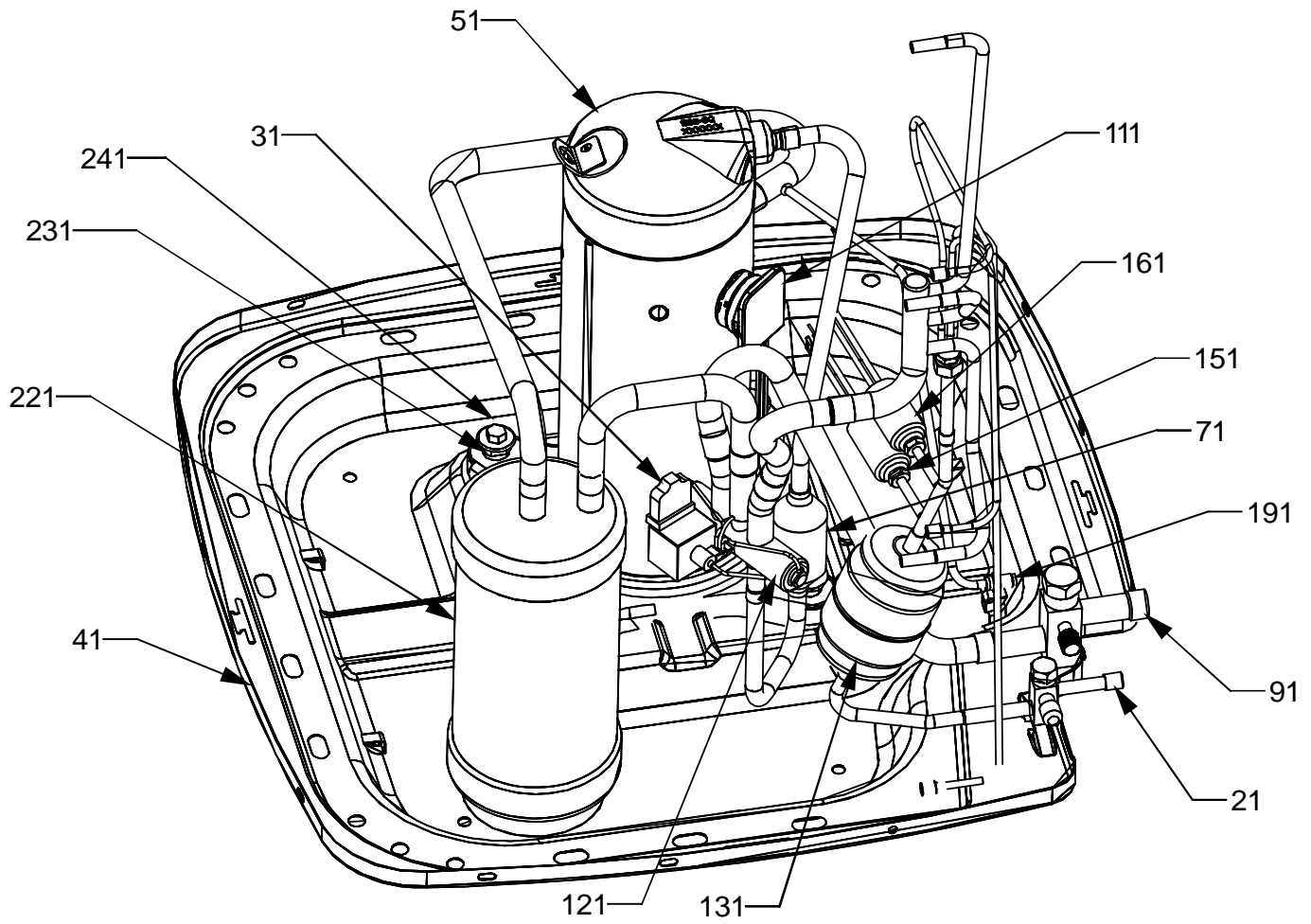
Image 1:

11	0121R00096PDG	LOWER ACCESS PANEL (M4, M8)
11	4400201PDG	LOWER ACCESS PANEL (M1, M2, M3, M5, M6)
11	4400202PDG	LOWER ACCESS PANEL (M11, M12, M13, M14, M15, M16)
11	4400205PDG	LOWER ACCESS PANEL (M7, M9, M10)
21	0121R00053PDG	CONTROL COVER
71	CONT2P025024VS	CONTACTOR 25 AMP, 2P, 24V (M1, M2, M3, M4, M5, M6, M7, M8, M10)
71	CONT3P025024VS	CONTACTOR 25 AMP, 3P, 24V (M9, M12, M13, M15, M16)
71	CONT2P030024VS	CONTACTOR 30 AMP, 2P, 24V (M11, M14)
81	CAP050300440RSS	CAPACITOR 5/30/370V (M1)
81	CAP050000370VAS	CAPACITOR 5/370V (M9, M12, M13, M15, M16)
81	CAP050400440RTS	CAPACITOR 5/40/440V (M2, M3, M4, M5, M6)
81	CAP050450440RTS	CAPACITOR 5/45/440V (M7, M8, M10, M11)
81	CAP050700440RTS	CAPACITOR 5/70/440V (M14)
91	4400065	CAPACITOR STRAP
131	PCBDM130	DEFROST CONTROL BOARD
NS	0161R00009P	NAMEPLATE

Expanded Model Nomenclature

M1 - GSZ130181AB
M2 - GSZ130241AB
M3 - GSZ130241AC
M4 - GSZ130241BA
M5 - GSZ130301AB
M6 - GSZ130301AC
M7 - GSZ130361AB
M8 - GSZ130361BA
M9 - GSZ130363AA
M10 - GSZ130421AB
M11 - GSZ130481AB
M12 - GSZ130483AA
M13 - GSZ130484AA
M14 - GSZ130601AB
M15 - GSZ130603AA
M16 - GSZ130604AA

Compressor / Tubing Assembly



Compressor / Tubing Assembly

**Ref. Part
No: No:**

Description:

Image 1:

21	B12825171	3/8" SERVICE VALVE
31	B1225020	SOLENOID COIL CORD W/1/4"TERMINAL
41	0121R00005PDG	BASE PAN 26" (M1, M2, M3, M4, M5, M6)
41	0121R00006PDG	BASE PAN 29" (M7, M8, M9, M10, M11, M12, M13)
41	0121R00007PDG	BASE PAN 35" (M14, M15, M16)
51	ZP16K5EPFV830	COMPRESSOR 15500, 208/230/60/1 (M1)
51	ZP21K5EPFV830	COMPRESSOR 21300,208/230/60/1 (M2, M3, M4)
51	ZP25K5EPFV830	COMPRESSOR 25200, 208/230/60/1 (M5, M6)
51	ZP31K5EPFV830	COMPRESSOR 31100, 208/230/60/1 (M7, M8)
51	ZP31K5ETF5830	COMPRESSOR 31200, 200/230/60/3 (M9)
51	ZP36K5EPFV830	COMPRESSOR 36200, 208/230/60/1 (M10)
51	ZP39K5ETF5830	COMPRESSOR 39000, 200/230/60/3 (M12)
51	ZP39K5EPFV830	COMPRESSOR 39000, 208/230/60/1 (M11)
51	ZP39K5ETFD830	COMPRESSOR 39000, 460/60/3 (M13)
51	ZP51K5EPFV830	COMPRESSOR 51000, 208/230/60/1 (M14)
51	ZP51K5ETF5830	COMPRESSOR 51000, 208/230/60/3 (M15)
51	ZP51K5ETFD830	COMPRESSOR 51000, 460/60/3 (M16)
71	B1219301	MUFFLER 1/2 X 1/2
91	0151R00002P	3/4" SERVICE VALVE OPEN LEFT (M1, M2, M3, M4, M5, M6, M7, M8, M9)
91	0151R00003P	7/8" SERVICE VALVE OPEN LEFT (M10, M11, M12, M13, M14, M15, M16)
111	0159R00000P	COMPRESSOR SCROLL HARNESS (M1, M2, M3, M4, M5, M6)
111	0159R00001P	COMPRESSOR SCROLL HARNESS (M7, M8, M10, M11)
111	0159R00002P	COMPRESSOR SCROLL HARNESS (M14)
111	0159R00008	COMPRESSOR SCROLL HARNESS (M9, M12, M13)
111	0159R00009	COMPRESSOR SCROLL HARNESS (M15, M16)
121	0151M00018S	REVERSING VALVE (M1, M2, M3, M5, M6)
121	0151M00019S	REVERSING VALVE (M7, M8, M9)
121	0151M00020S	REVERSING VALVE (M10, M11, M12, M13, M14, M15, M16)
121	B1227314S	REVERSING VALVE (M4)
131	20485201	BI-FLOW FILTER DRIER (M1, M2, M3, M5, M6, M7, M9, M10, M11, M12, M13, M14, M15, M16)
131	20485201	BI-FLOW FILTER DRIER (M4, M8)
151	0130R00000S	CUT-OUT SWITCH, LOW PRESSURE
161	20322603	CUT-OUT SWITCH, HIGH PRESSURE
191	B1787000	VALVE CORE
221	B1226206	ACCUMULATOR (M1, M2, M3, M4, M5, M6, M9)
221	0151R00004P	ACCUMULATOR .750 (M7, M8)
221	B1226207	ACCUMULATOR .875 (M10, M11, M12, M13, M14, M15, M16)
231	B1339533	COMPRESSOR GROMMET (QTY 4)
241	M0221641	TF SHOULDER SCREW (QTY 4)
NS	20270812	COMPENSATOR (M8)

**Ref. Part
No: No:**

Description:

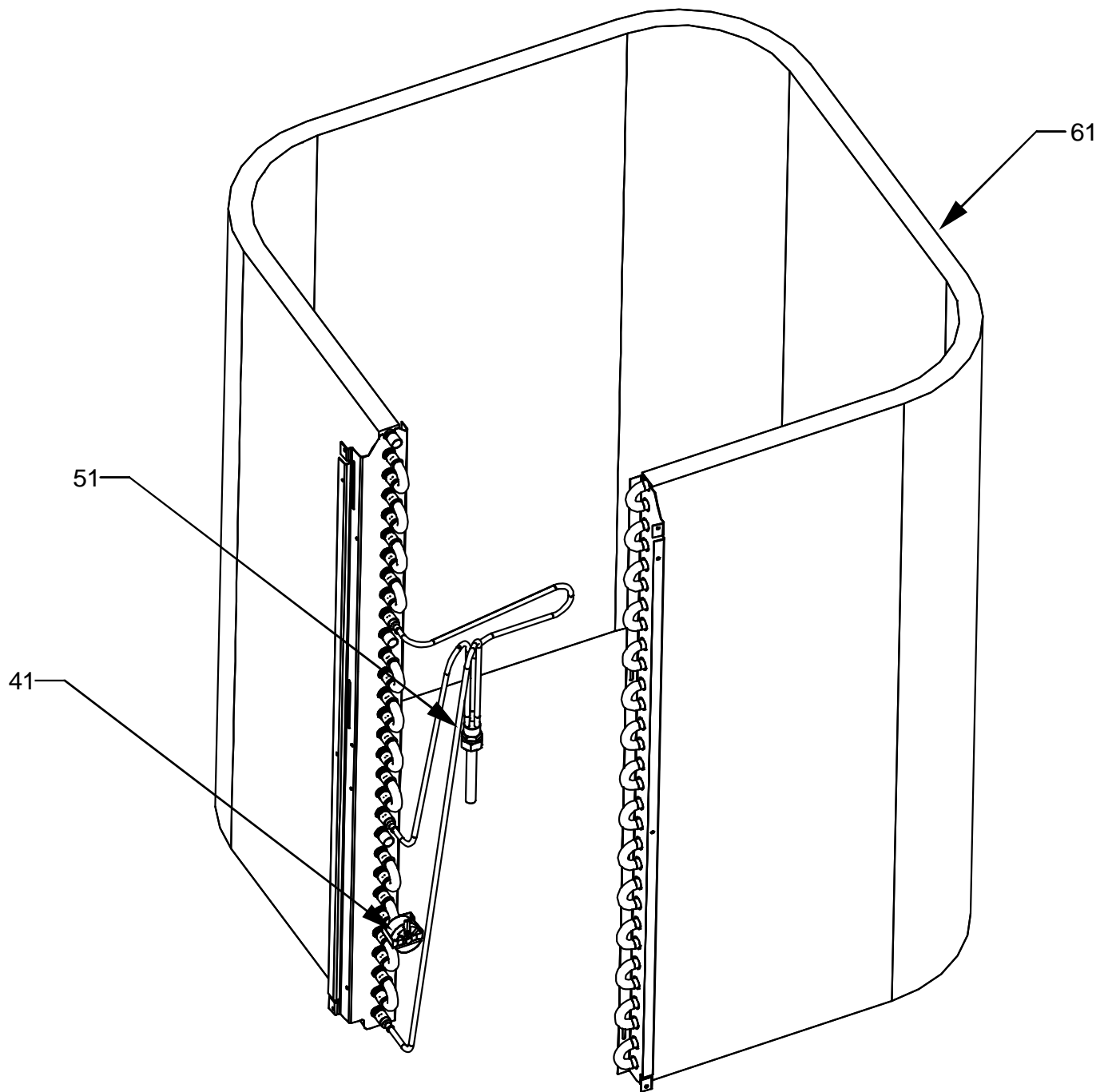
Image 1:

NS	20270815	COMPENSATOR (M4)
NS	0163R00004	HEATER CRANKCASE, 460V, 40W (M13, M16)
NS	0163R00003	HEATER, CRANKCASE 230V 40W (M12, M15)
NS	0163R00002	HEATER, CRANKCASE 230V, 40W (M9)

Expanded Model Nomenclature

M1 - GSZ130181AB
M2 - GSZ130241AB
M3 - GSZ130241AC
M4 - GSZ130241BA
M5 - GSZ130301AB
M6 - GSZ130301AC
M7 - GSZ130361AB
M8 - GSZ130361BA
M9 - GSZ130363AA
M10 - GSZ130421AB
M11 - GSZ130481AB
M12 - GSZ130483AA
M13 - GSZ130484AA
M14 - GSZ130601AB
M15 - GSZ130603AA
M16 - GSZ130604AA

Condenser



Condenser

**Ref. Part
No: No:**

Description:

**Ref. Part
No: No:**

Description:

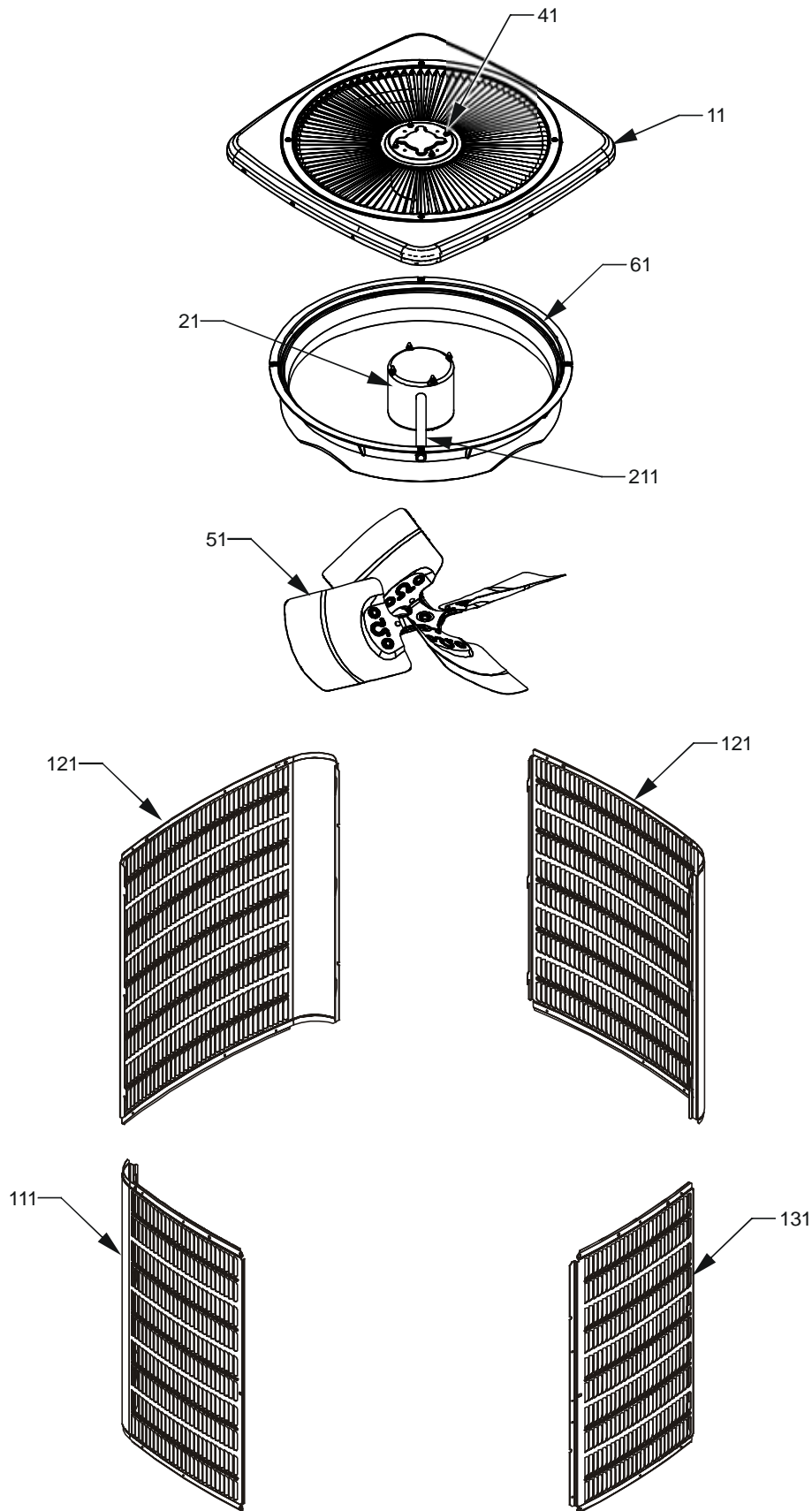
Image 1:

41	0130M00085	DEFROST THERMOSTAT (M4, M8)
41	B1370803	DEFROST THERMOSTAT (M1, M2, M3, M5, M6, M7, M9, M10, M11, M12, M13, M14, M15, M16)
51	0162M00057	FLOWRATOR .039 (M1)
51	0162M00058	FLOWRATOR .043 (M2, M3)
51	0162M00127	FLOWRATOR .043 (M4)
51	0162M00141	FLOWRATOR .043 (M8)
51	0162M00059	FLOWRATOR .049 (M5, M6)
51	0162M00068	FLOWRATOR .055 (M7, M9)
51	0162M00069	FLOWRATOR .059 (M10)
51	0162M00070	FLOWRATOR .059 (M11, M12, M13)
51	0162M00060	FLOWRATOR .065 (M14, M15, M16)
61	0201R00150S	TUBING ASSY, COND COIL (M1)
61	0201R00151S	TUBING ASSY, COND COIL (M7, M9)
61	0201R00152S	TUBING ASSY, COND COIL (M10)
61	0201R00154S	TUBING ASSY, COND COIL (M11, M12, M13)
61	0201R00155S	TUBING ASSY, COND COIL (M14, M15, M16)
61	0201R00156S	TUBING ASSY, COND COIL (M2)
61	0201R00157S	TUBING ASSY, COND COIL (M5)
61	0201R00285	TUBING ASSY, COND COIL (M8)
61	0201R00317	TUBING ASSY, COND COIL (M4)
61	0201R00324	TUBING ASSY, COND COIL (M3)
61	0201R00325	TUBING ASSY, COND COIL (M6)
NS	B1789849	FLOW CHECK PISTON KIT .049 (M1)
NS	B1789857	FLOW CHECK PISTON KIT .057 (M2, M3, M4)
NS	B1789863	FLOW CHECK PISTON KIT .063 (M5, M6)
NS	B1789868	FLOW CHECK PISTON KIT .068 (M7, M9)
NS	B1789870	FLOW CHECK PISTON KIT .070 (M8)
NS	B1789874	FLOW CHECK PISTON KIT .074 (M10)
NS	B1789878	FLOW CHECK PISTON KIT .078 (M11, M12, M13)
NS	B1789888	FLOW CHECK PISTON KIT .088 (M14, M15, M16)

Expanded Model Nomenclature

M1 - GSZ130181AB
M2 - GSZ130241AB
M3 - GSZ130241AC
M4 - GSZ130241BA
M5 - GSZ130301AB
M6 - GSZ130301AC
M7 - GSZ130361AB
M8 - GSZ130361BA
M9 - GSZ130363AA
M10 - GSZ130421AB
M11 - GSZ130481AB
M12 - GSZ130483AA
M13 - GSZ130484AA
M14 - GSZ130601AB
M15 - GSZ130603AA
M16 - GSZ130604AA

Cabinet Top / Side Panels



Cabinet Top / Side Panels

Ref. Part No:	No:	Description:	Ref. Part No:	No:	Description:
<i>Image 1:</i>			Expanded Model Nomenclature		
11	0121R00008PDG	TOP PANEL 26" (M1, M2, M3, M4, M5, M6)	M1	-	GSZ130181AB
11	0121R00010PDG	TOP PANEL 29" (M7, M8, M9, M10, M11, M12, M13)	M2	-	GSZ130241AB
11	0121R00012PDG	TOP PANEL 35" (M14, M15, M16)	M3	-	GSZ130241AC
21	0131M00022S	COND MOTOR 1/4 HP, 8 PL, 460V (M13, M16)	M4	-	GSZ130241BA
21	0131M00061S	COND MOTOR 1/4HP, 1SP, 8PL (M7, M8, M9, M10, M11, M12, M14, M15)	M5	-	GSZ130301AB
21	0131M00060S	COND MOTOR 1/6 HP, 1 SP, 8 PL (M1, M2, M3, M4, M5, M6)	M6	-	GSZ130301AC
41	0163M00006P	ACORN NUT 5/16 HEX BLACK (QTY 4)	M7	-	GSZ130361AB
51	0150M00018S	FAN BLADE 20" (M1, M2, M3)	M8	-	GSZ130361BA
51	0150M00012S	FAN BLADE 20" CCW (M4, M5, M6)	M9	-	GSZ130363AA
51	0150M00008S	FAN BLADE 22" TNT2203-25 (M7, M8, M9, M10)	M10	-	GSZ130421AB
51	10625738S	FAN BLADE 26" ALUM CCW (M15, M16)	M11	-	GSZ130481AB
51	0150M00013	FAN BLADE 26" CCW (M14)	M12	-	GSZ130483AA
51	B1086765S	FAN BLADE TYPE 3 (M11, M12, M13)	M13	-	GSZ130484AA
61	0161L00000	VENTURI RING 22" (M7, M8, M9, M10, M11, M12, M13)	M14	-	GSZ130601AB
61	0161R00007P	VENTURI RING 35" (M14, M15, M16)	M15	-	GSZ130603AA
111	0121R00015PDGB	LOUVERED SIDE PANEL [LT OF CNTL PNL] (M1, M2, M3, M5, M6)	M16	-	GSZ130604AA
111	0121R00025PDGB	LOUVERED SIDE PANEL [LT OF CNTL PNL] (M11, M12, M13)			
111	0121R00027PDGB	LOUVERED SIDE PANEL [LT OF CNTL PNL] (M7, M9, M10)			
111	0121R00042PDGB	LOUVERED SIDE PANEL [LT OF CNTL PNL] (M14, M15, M16)			
111	0121R00125PDGB	LOUVERED SIDE PANEL [LT OF CNTL PNL] (M8)			
111	0121R00171PDGB	LOUVERED SIDE PANEL [LT OF CNTL PNL] (M4)			
121	0121R00018PDGB	LOUVERED SIDE PANEL (M1, M2, M3, M5, M6)			
121	0121R00031PDGB	LOUVERED SIDE PANEL (M11, M12, M13)			
121	0121R00033PDGB	LOUVERED SIDE PANEL (M7, M9, M10)			
121	0121R00046PDGB	LOUVERED SIDE PANEL (M14, M15, M16)			
121	0121R00132PDGB	LOUVERED SIDE PANEL (M8)			
121	0121R00172PDGB	LOUVERED SIDE PANEL (M4)			
131	0121R00021PDG	LOUVERED SIDE PANEL [RT OF CNTL PNL] (M1, M2, M3, M5, M6)			
131	0121R00139PDG	LOUVERED SIDE PANEL [RT OF CNTL PNL] (M8)			
131	0121R00037PDG	LOUVERED SIDE PANEL [RT OF CNTL PNL] (M11, M12, M13)			
131	0121R00039PDG	LOUVERED SIDE PANEL [RT OF CNTL PNL] (M7, M9, M10)			
131	0121R00050PDG	LOUVERED SIDE PANEL [RT OF CNTL PNL] (M14, M15, M16)			
131	0121R00173PDG	LOUVERED SIDE PANEL [RT OF CNTL PNL] (M4)			
211	0161R00001P	CONDUIT (M1, M2, M3, M4, M5, M6)			
211	0161R00002P	CONDUIT (M7, M8, M9, M10, M11, M12, M13)			
211	0161R00004P	CONDUIT (M14, M15, M16)			

THIS PAGE INTENTIONALLY LEFT BLANK